

HF 360

COM1 - Surface wiring
 EAN 4007841 751302
 Article number 751302



high frequency sensor 360°



max. Ø 12 m

2000 W

max. 2000 W



IP20



ideal 2,5 - 3,5 m



indoor sensor

iQ

iQ-mode

Teach

Teach mode



energy saving

5 years

manufacturer's warranty steinel-professional.de/garantie

Function description

Doesn't miss a thing. HF-presence detector Presence Control PRO HF 360 COM1 AP for indoors, ideal for WCs with toilet cubicles, changing rooms, stairwells, multi-storey car parks, kitchens, installation height up to 3.5 m, surface-mounting version for switching light 'ON' and 'OFF', 1 – 12 m reach, reach is electronically adjustable and can be limited in two directions, detection regardless of temperature, HF-sensor technology also detects movement through glass, wood and stud walls.

Technical specifications

Dimensions (L x W x H)	51 x 120 x 120 mm	Capacitive load in µF	176 µF
Manufacturer's Warranty	5 years	Technology, sensors	High frequency, Light sensor
Settings via	Remote control, DIP switches, Potentiometers, Smart Remote	Mounting height	2,50 – 3,50 m
With remote control	No	Mounting height max.	3,50 m
Version	COM1 - Surface wiring	Optimum mounting height	2,8 m
PU1, EAN	4007841751302	HF-system	5,8 GHz
Type	Presence detector	Detection	also through glass, wood and stud walls
Application, place	Indoors	Detection angle	360 °
Application, room	function room / ancillary room, kitchenette, stairwell, WC / washroom, Indoors	Angle of aperture	140 °
Colour	white	Sneak-by guard	Yes
Colour, RAL	9010	Capability of masking out individual segments	Yes
Includes corner wall mount	No	Electronic scalability	Yes
Installation site	ceiling	Mechanical scalability	No
Installation	Surface wiring, Ceiling	Reach, radial	Ø 12 m (113 m ²)
		Reach, tangential	Ø 12 m (113 m ²)

HF 360

COM1 - Surface wiring
 EAN 4007841 751302
 Article number 751302



Technical specifications

IP-rating	IP20
Ambient temperature	-25 – 55 °C
Material	Plastic
Mains power supply	230 V / 50 – 60 Hz
Fluorescent lamps, electronic ballast	1500 W
Fluorescent lamps, uncorrected	1000 VA
Fluorescent lamps, series-corrected	1000 VA
Fluorescent lamps, parallel-corrected	1000 VA
Switching output 1, low-voltage halogen lamps	2000 VA
LED lamps < 2 W	100 W
LED lamps > 2 W < 8 W	300 W
LED lamps > 8 W	600 W

Transmitter power	< 1 mW
Functions	Normal / test mode, Semi-/fully automatic, Pushbutton / switch mode, Manual ON / ON-OFF
Twilight setting	10 – 1000 lx
Time setting	30 sec – 30 min
Basic light level function	No
Main light adjustable	No
Twilight setting TEACH	Yes
Constant-lighting control	No
Interconnection	Yes
Type of interconnection	Master/master, Master/slave
Interconnection via	Cable

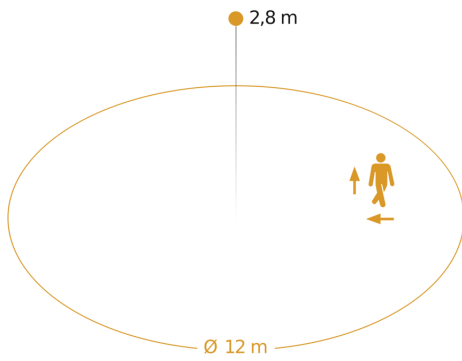
Accessories

EAN 4007841 003036	Control PRO guard cage
EAN 4007841 000363	Surface-mounted adapter Control Pro IP54
EAN 4007841 009151	Remote control Smart Remote
EAN 4007841 559410	Service remote control RC8

HF 360

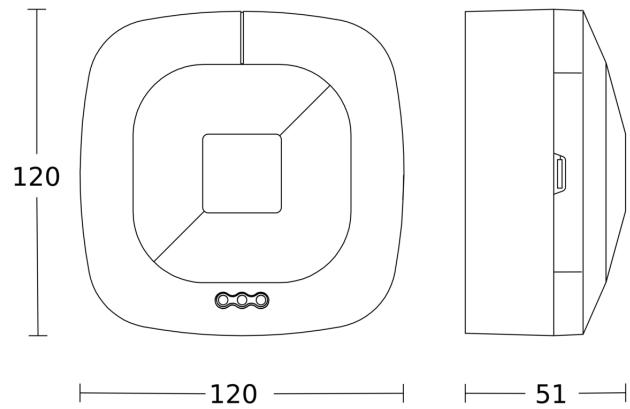
COM1 - Surface wiring
EAN 4007841 751302
Article number 751302

Detection Zone

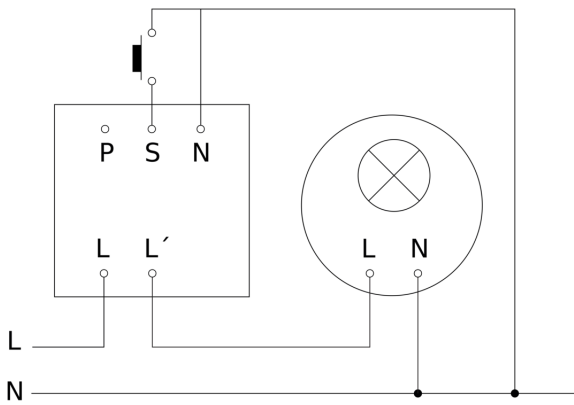


Possible mounting height: 2,50 m - 3,50 m
Orange: radial and tangential

Dimension Drawing



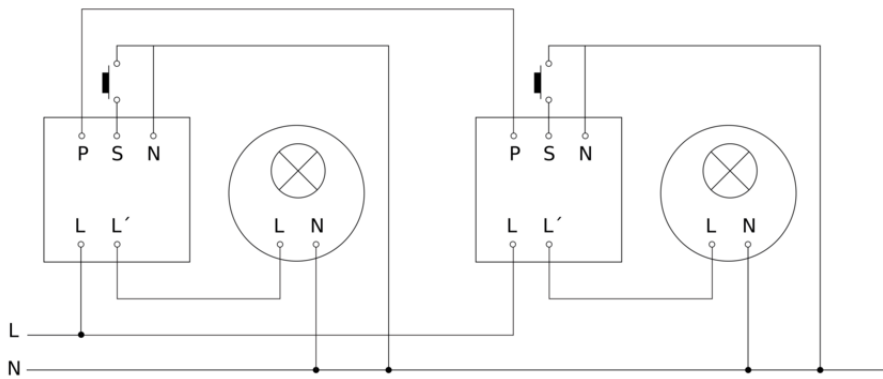
Master circuit diagram



HF 360

COM1 - Surface wiring
EAN 4007841 751302
Article number 751302

Master/master interconnection circuit diagram



Master/slave interconnection circuit diagram

